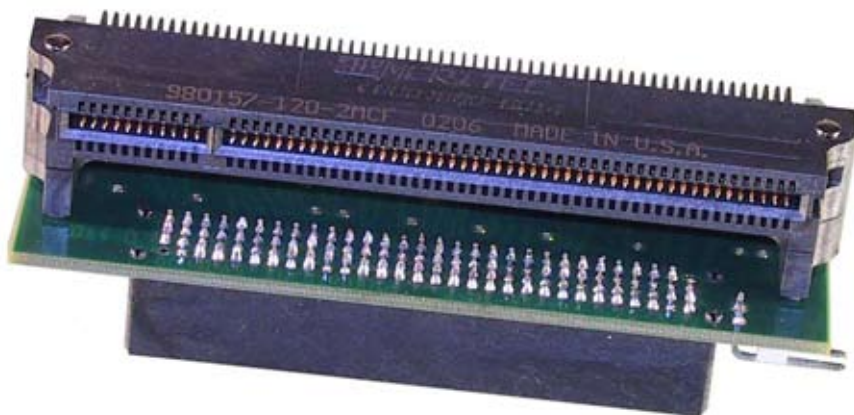
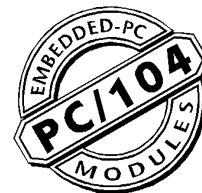




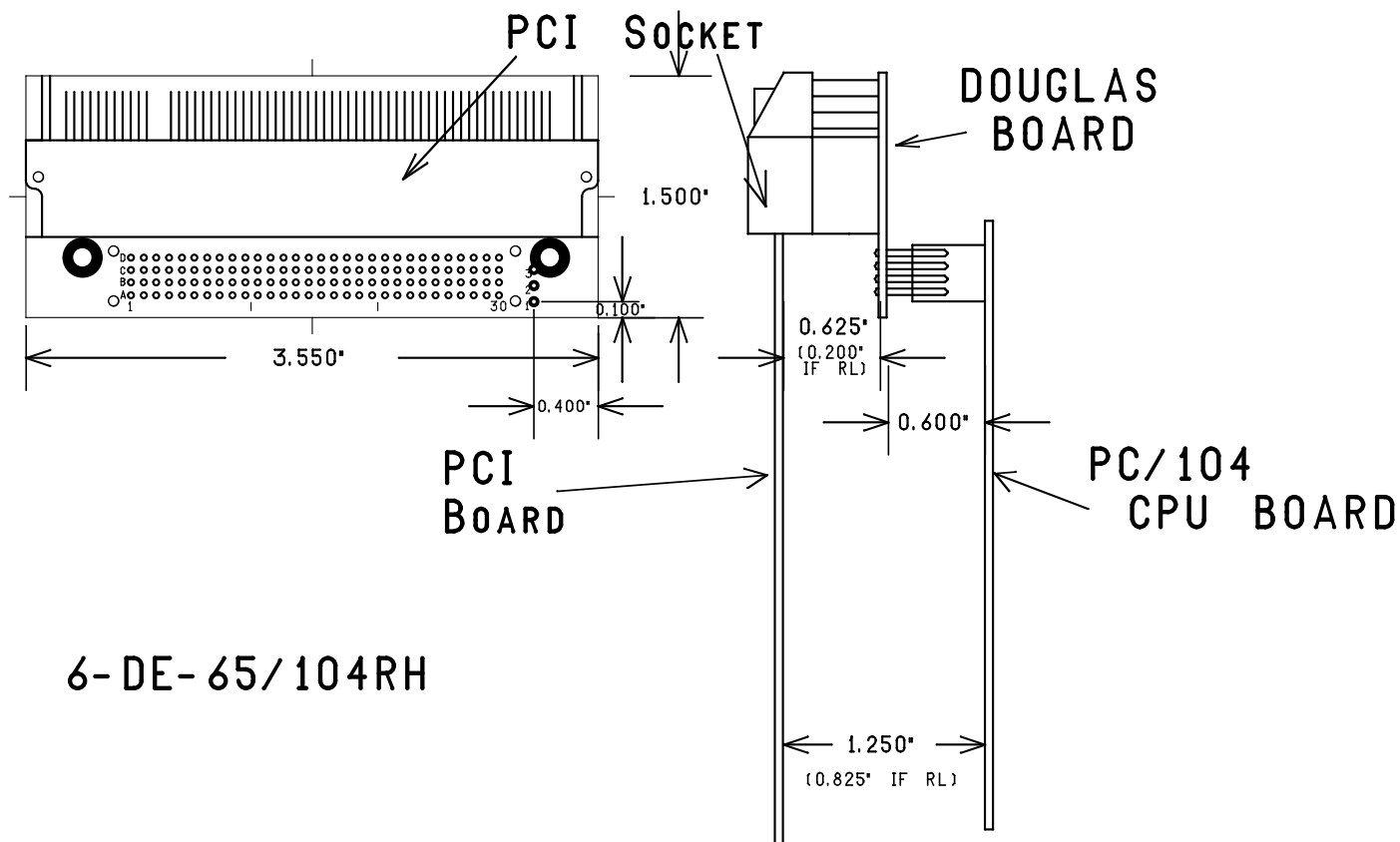
**DOUGLAS  
ELECTRONICS  
INC.**

**6-DE-65/104-1.25-3.3V**

PC/104Plus <—> PCI Board  
Interface



The 6-DE-65/104-1.25-3.3V board provides support for a PCI board from the top of a PC/104Plus bus. A separate connector provides the ability to connect power directly to the 3.3 volt pins.



**6-DE-65/104RH**

**Douglas Electronics, Inc.**

2777 Alvarado Street • San Leandro, CA 94577  
Voice +1.510.483.8770  
Fax +1.510.483.6453  
info@douglas.com

W-77

[www.douglas.com/pc104/](http://www.douglas.com/pc104/)